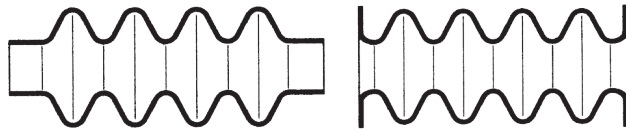


# BELLOWS & BOOTS

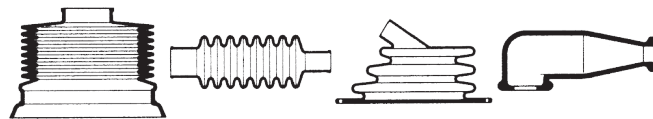
## 15

**Dipped Bellows -  
Standard Designs**



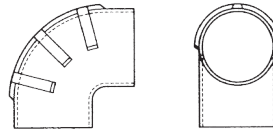
**Pg. 80**

**Rubber Boots  
& Bellows**



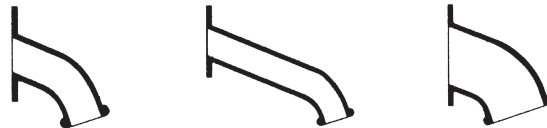
**Pg. 81**

**Air Intake Elbows**



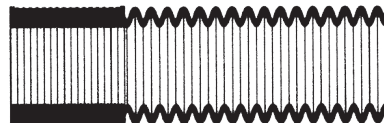
**Pg. 93**

**Rubber Scupper  
Lips**



**Pg. 94**

**Rubberized  
Fabric Boots**



**Pg. 96**

# DIPPED BELLOWS— STANDARD DESIGNS

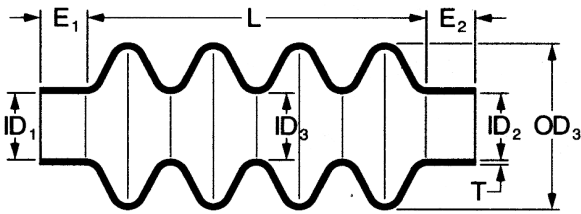


ILLUSTRATIONS BELOW NOT TO SCALE

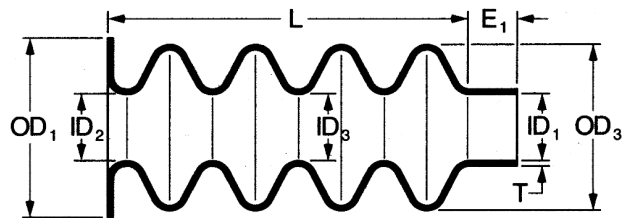
The following designs are standard. If you require a custom design, fax or mail your drawing to Longwood. Longwood can produce quality parts utilizing high grade **liquid latex**, **neoprene**, and **polyvinyl chloride (PVC)**. These raw materials are compounded to meet customer specifications and to resist environmental conditions such as oil, low and high temperatures, water, dust, dirt, and ozone.

## Standard Designs

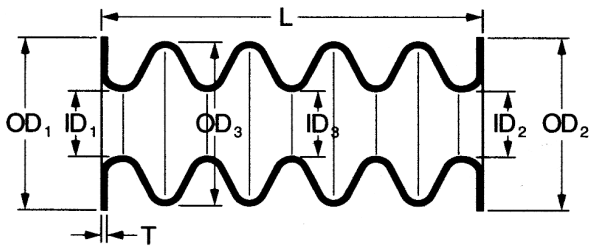
15-A



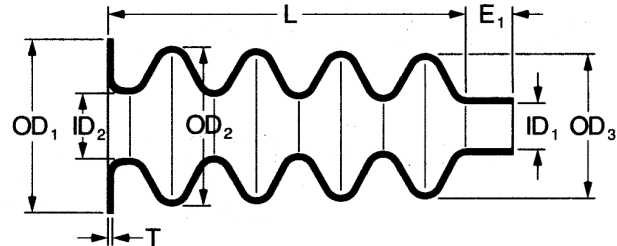
15-B



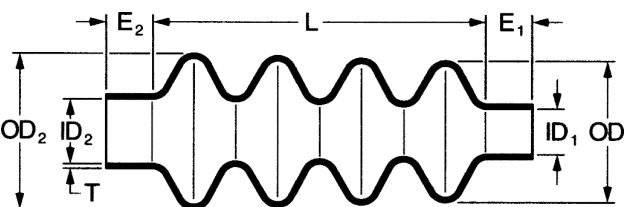
15-C



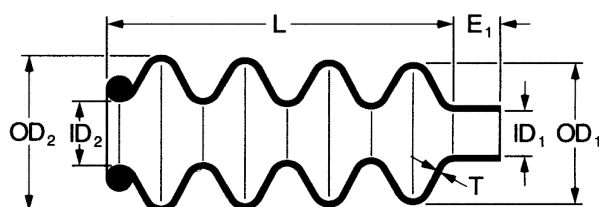
15-D



15-E

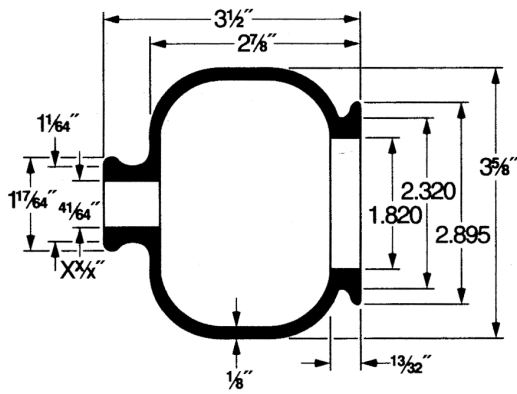


15-F

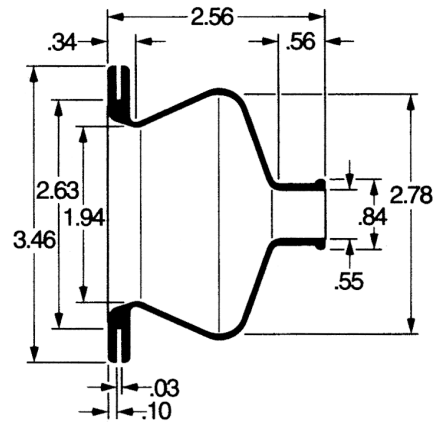


ILLUSTRATIONS BELOW NOT TO SCALE

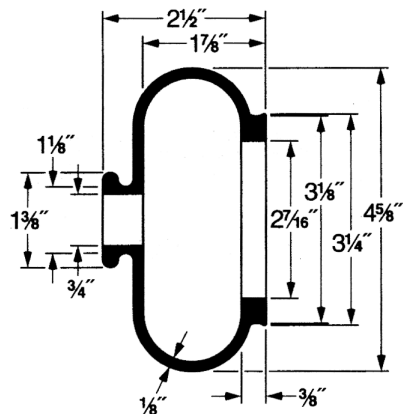
15-5376R



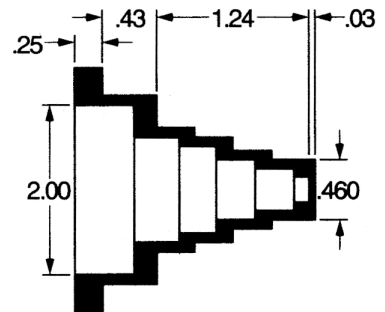
15-2999R



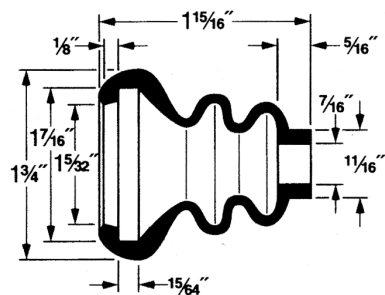
15-5069R



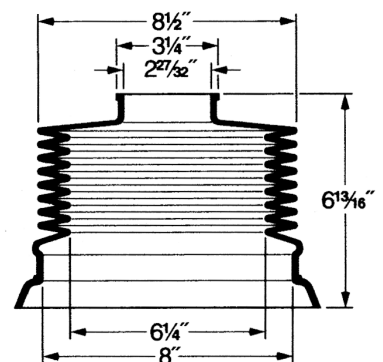
15-4049R



15-1970R



15-466R

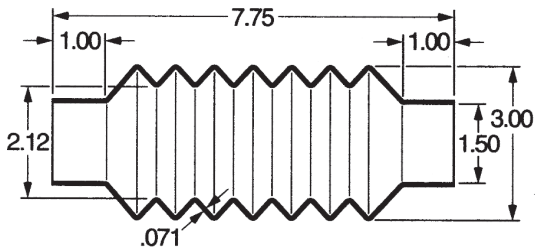


# RUBBER BOOTS & BELLOWS

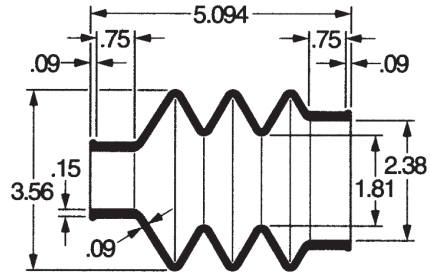


ILLUSTRATIONS BELOW NOT TO SCALE

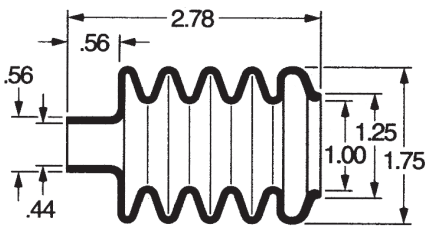
15-106



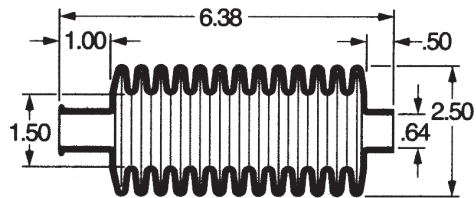
15-107



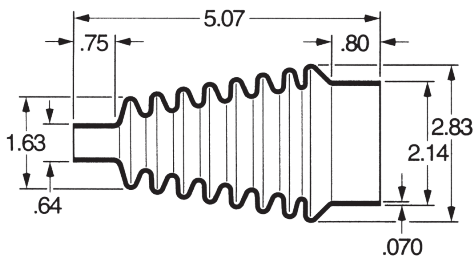
15-108



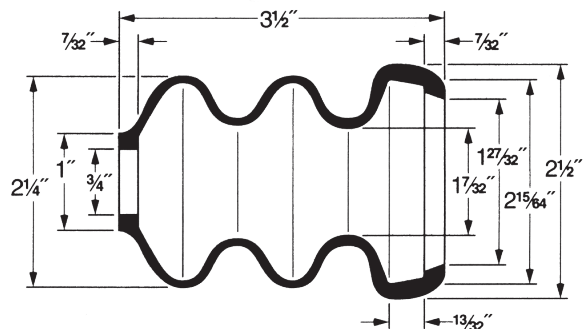
15-5747R



15-3842R

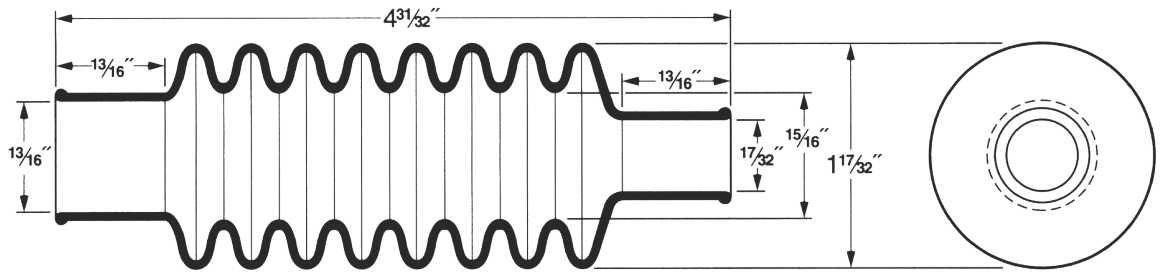


15-4085R

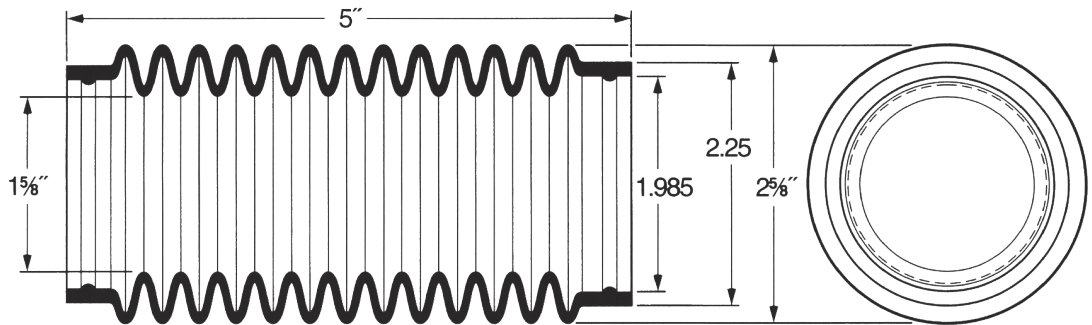


ILLUSTRATIONS BELOW NOT TO SCALE

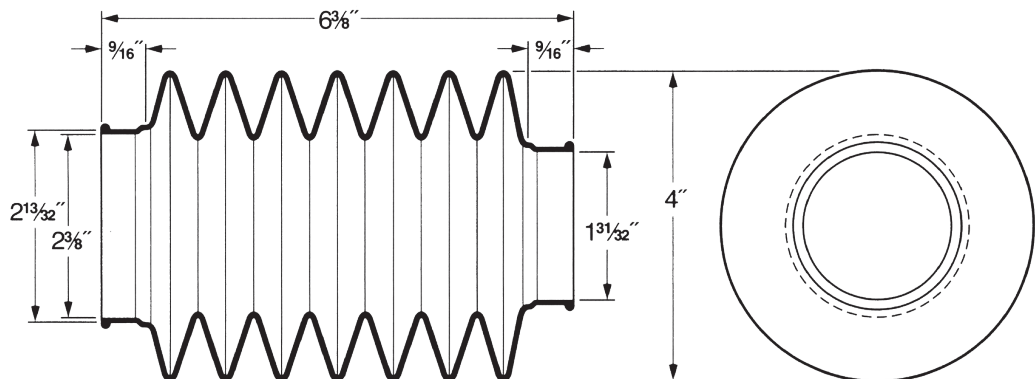
15-1532R



15-456R



15-3593R

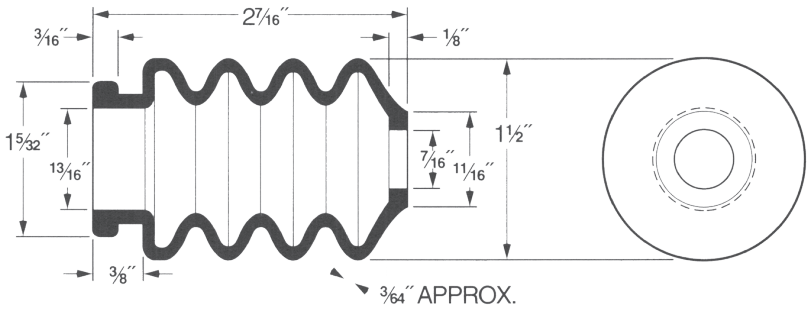


# RUBBER BOOTS & BELLOWS

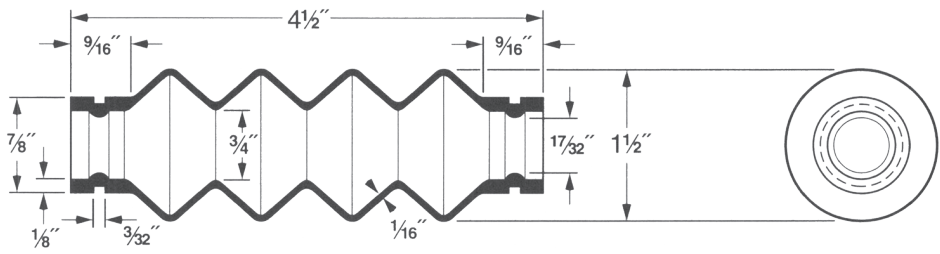


ILLUSTRATIONS BELOW NOT TO SCALE

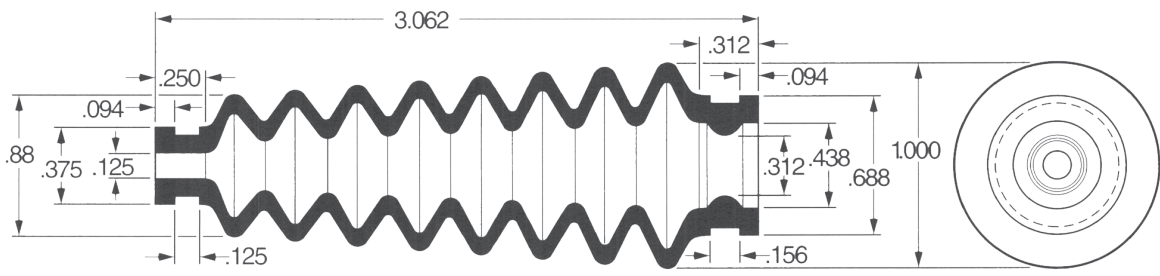
15-6665R



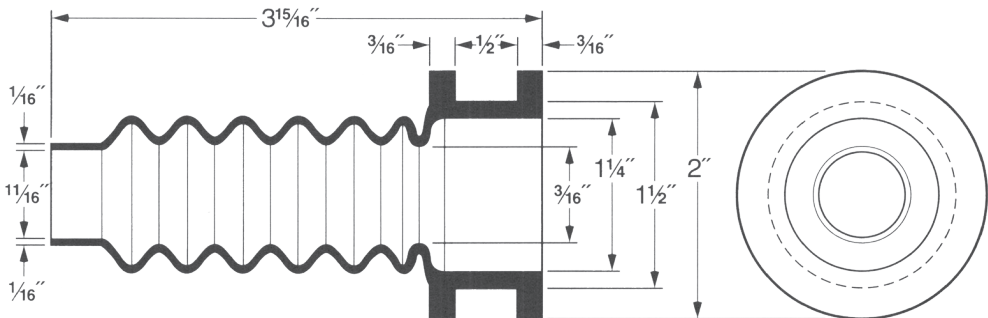
15-4626R



15-1153R

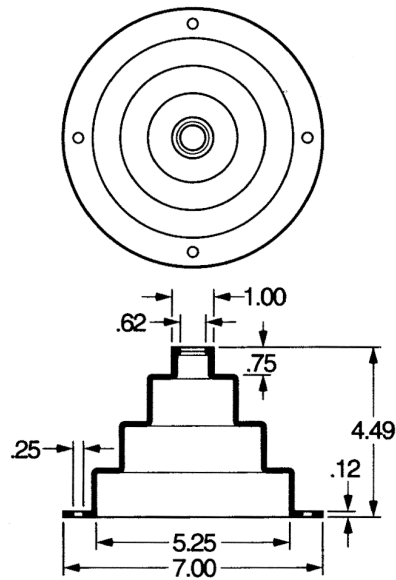


15-1551R

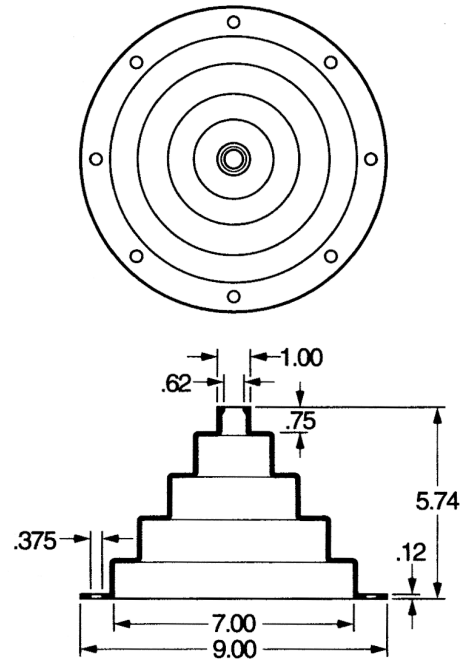


ILLUSTRATIONS BELOW NOT TO SCALE

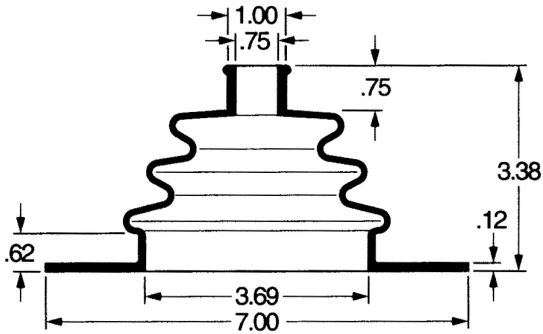
15-100



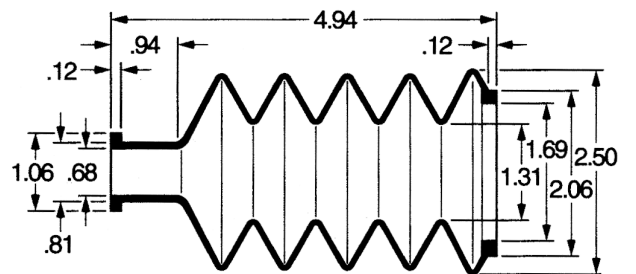
15-101



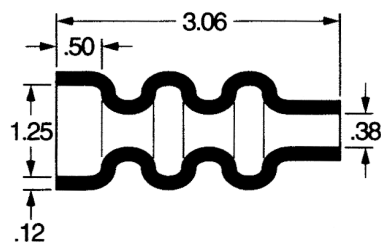
15-102



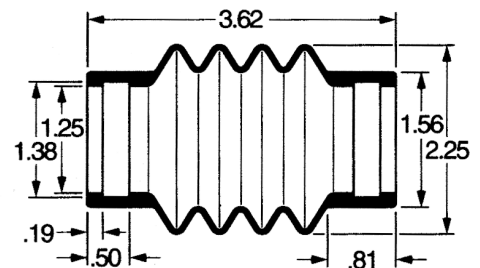
15-103



15-104



15-105

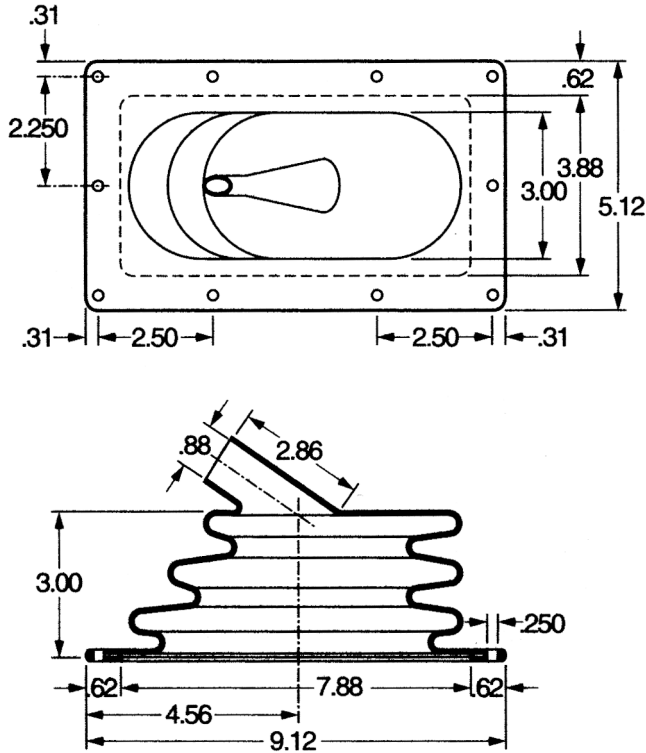


**RUBBER BOOTS & BELLOWS**

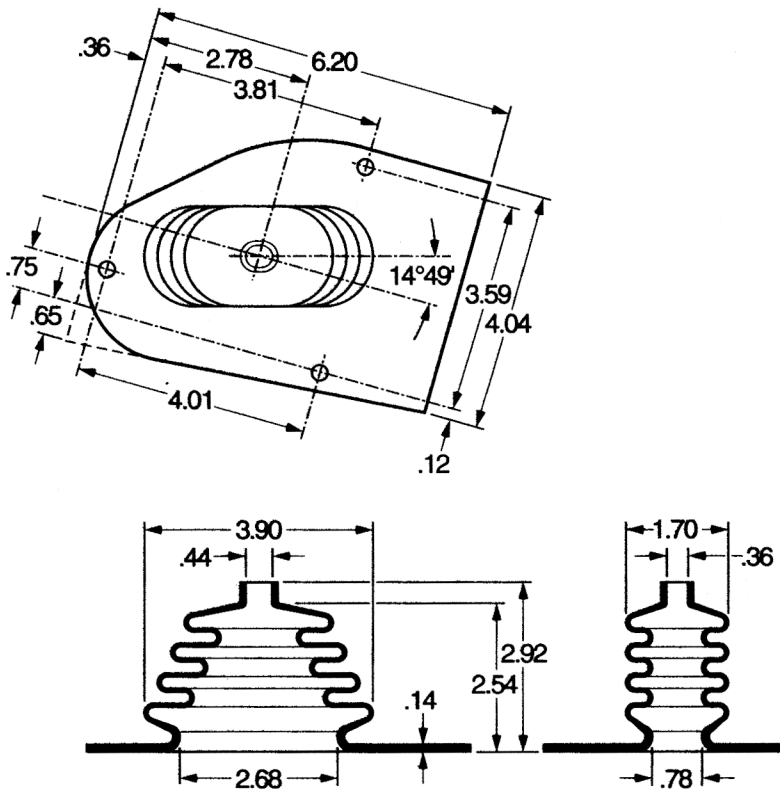


ILLUSTRATIONS BELOW NOT TO SCALE

15-2173R  
Shifter Boot



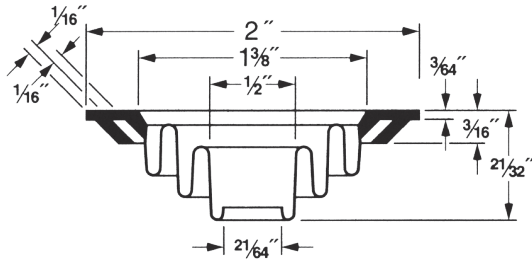
15-2250R  
Shifter Boot



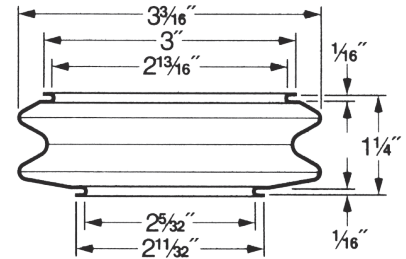


ILLUSTRATIONS BELOW NOT TO SCALE

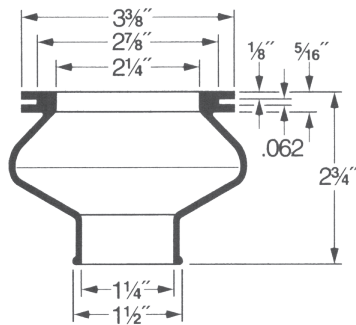
15-740R



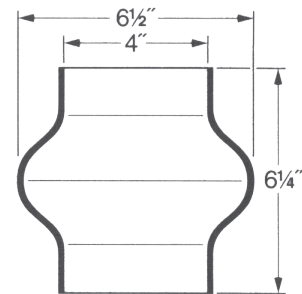
15-747R



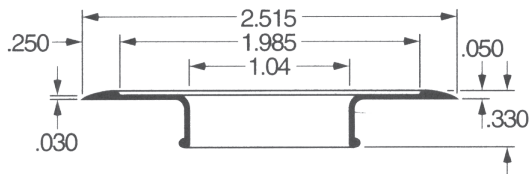
15-5648R



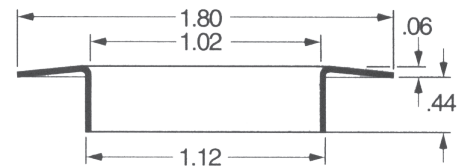
15-365R



15-422R

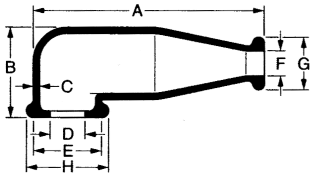


15-6814R



ILLUSTRATIONS BELOW NOT TO SCALE

## Electric Terminal Nipples MS25171 (Series)

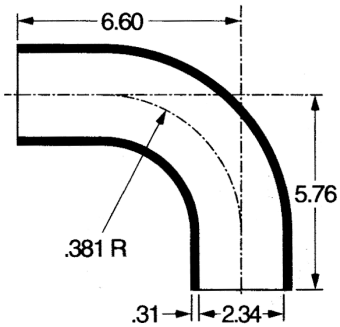


### Electric Terminal Nipples

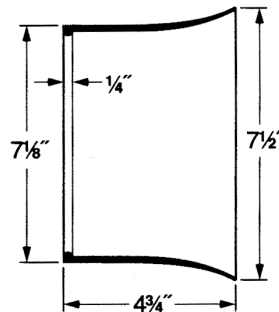
MS #	Part #	A Max.	B ±.125	C ±.005	D Dia.	E Dia.	F Dia.	G Dia.	H Dia.
MS25171-1	15-1	1.38	.56	.06	.40	.63	.16	.41	.76
MS25171-1S	15-1S	1.38	.56	.06	.40	.63	.16	.41	.76
MS25171-2	15-2	2.50	1.0	.06	.56	.82	.31	.56	.95
MS25171-2S	15-2S	2.50	1.00	.06	.56	.82	.31	.56	.95
MS25171-3	15-3	2.50	1.00	.06	.56	.82	.43	.68	.95
MS25171-3S	15-3S	2.50	1.00	.06	.56	.82	.43	.68	.95
MS25171-4	15-4	2.50	1.00	.06	.56	.82	.56	.82	.95
MS25171-4S	15-4S	2.50	1.00	.06	.56	.82	.56	.82	.95

**Note:** The letter "S" after a number designates MIL-R-5847, silicone. The plain numbers are MIL-R-6855, synthetic rubber.

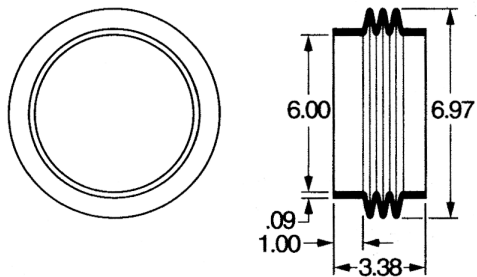
## 15-2392R



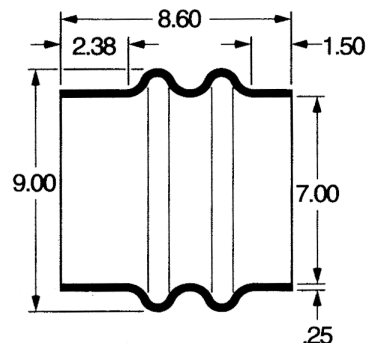
## 15-2128R



## 15-60

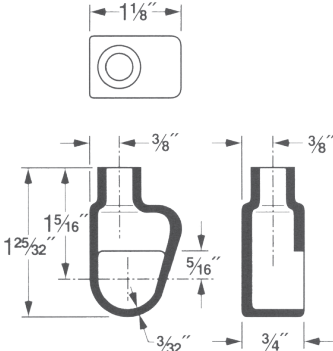
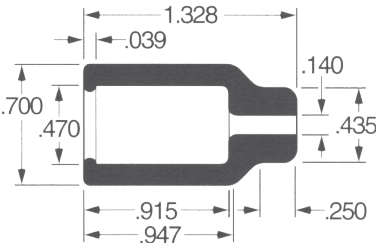
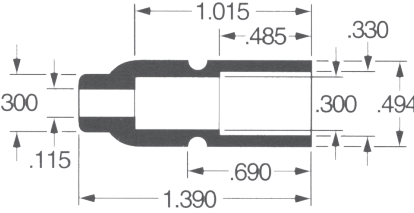
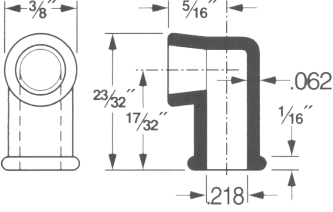
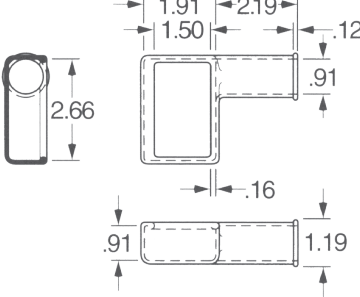
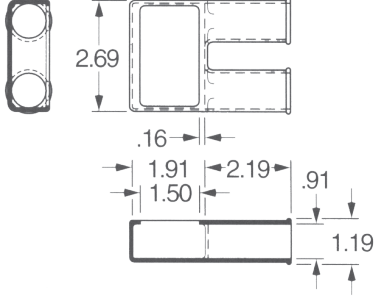
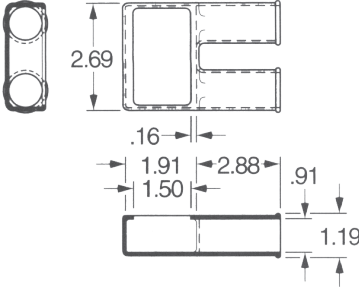
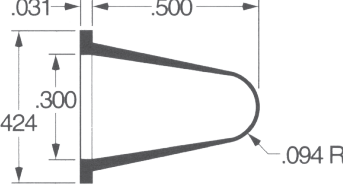
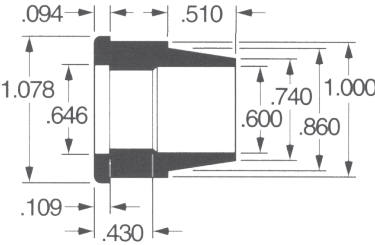


## 15-70



Longwood can custom-mold boots and bellows to your specifications

ILLUSTRATIONS BELOW NOT TO SCALE

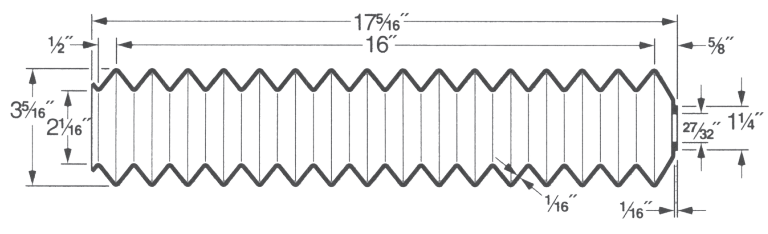
<p><b>15-20R</b></p> 	<p><b>15-270R</b> Electrical Nipple</p>  <p>NSN 5935-00-572-9180 361 Cavity Mold</p>	<p><b>15-4423R</b> Electrical Nipple</p>  <p>NSN 5975-00-660-5962 169 Cavity Mold</p>
<p><b>15-3651R</b></p> 	<p><b>15-5982R</b></p> 	<p><b>15-1998R</b></p> 
<p><b>15-4724R</b></p> 	<p><b>15-1744R</b></p> 	<p><b>15-611R</b></p> 

# RUBBER BOOTS & BELLOWS

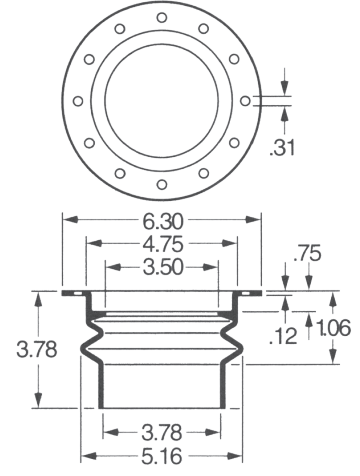


ILLUSTRATIONS BELOW NOT TO SCALE

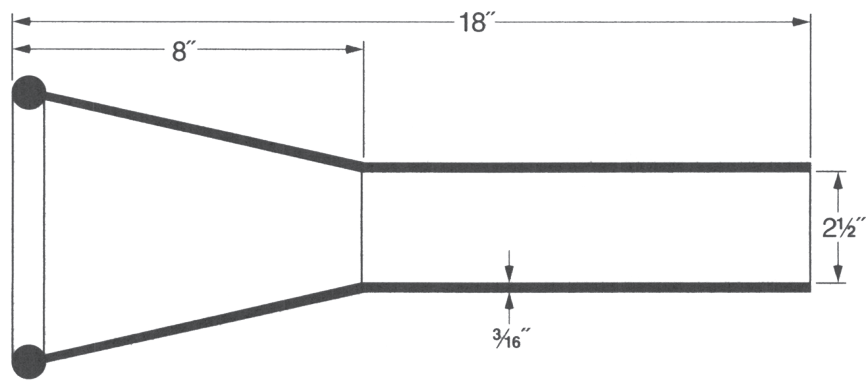
15-1485R



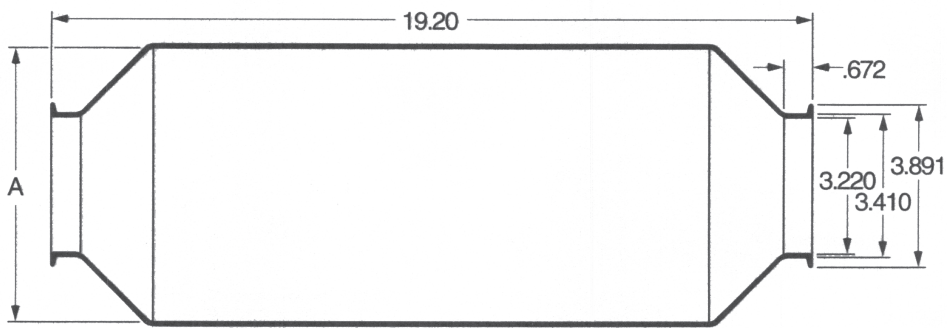
15-3346R



15-618R

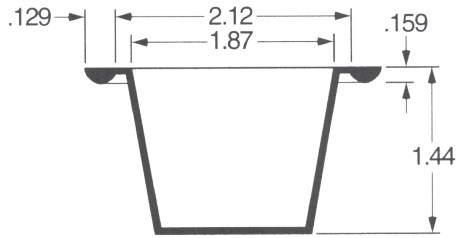


15-6637R

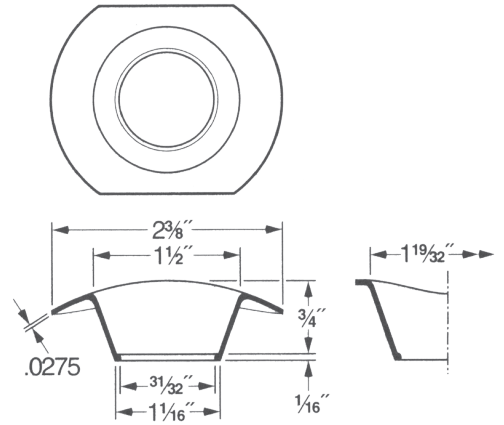


ILLUSTRATIONS BELOW NOT TO SCALE

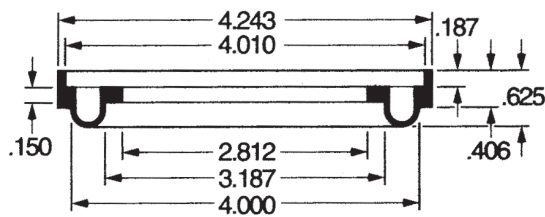
15-671R



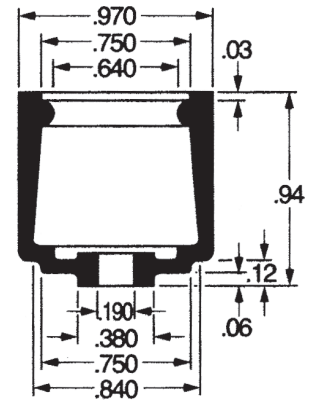
15-474R



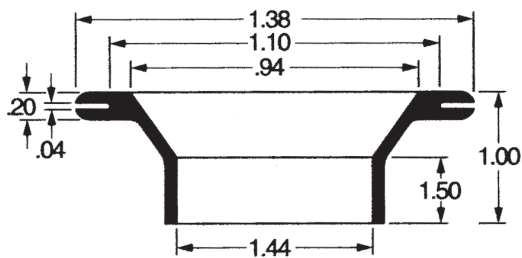
15-1267R



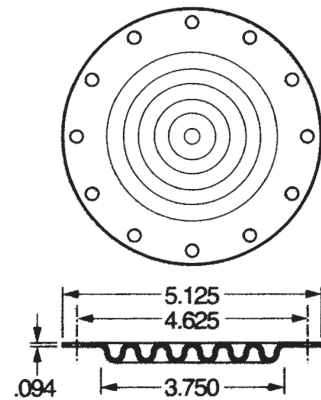
15-1173R



15-4201R



15-715R

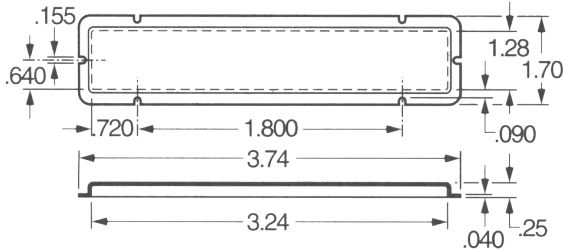


# RUBBER BOOTS & BELLOWS

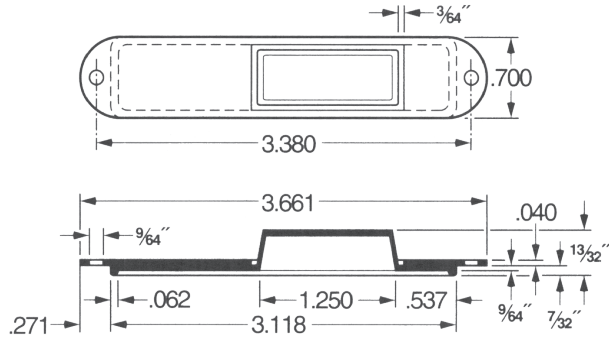


ILLUSTRATIONS BELOW NOT TO SCALE

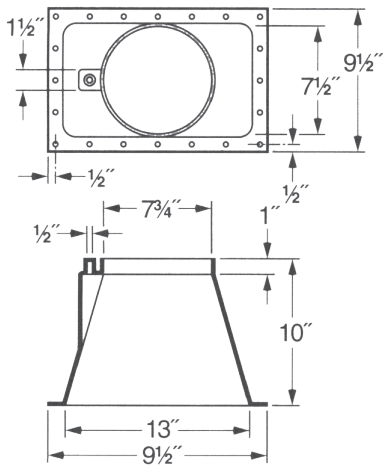
15-1947R



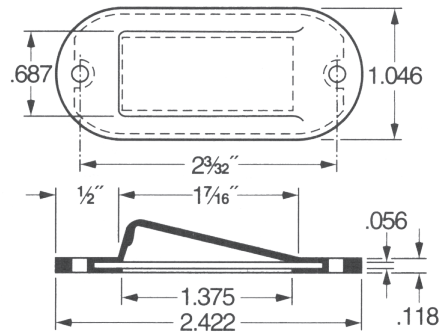
15-425R



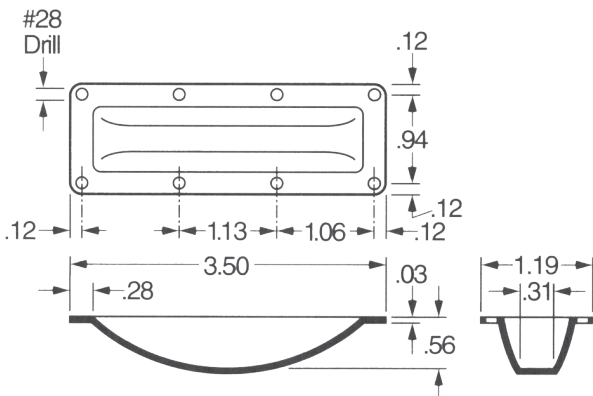
15-1369R



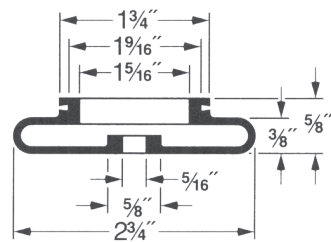
15-130R



15-3954R



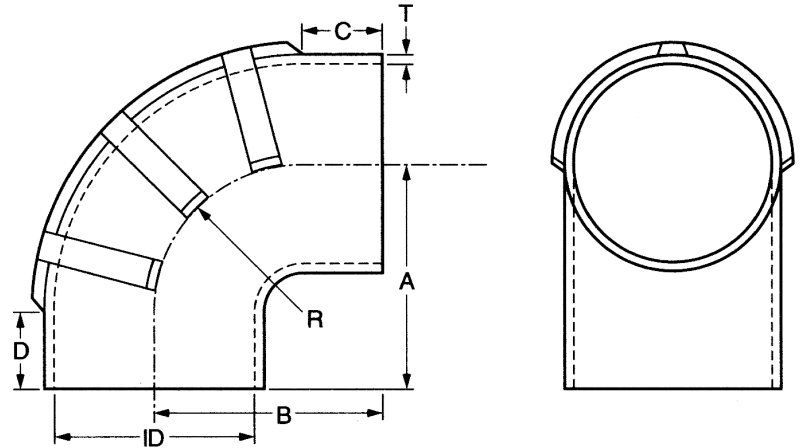
15-6104R



ILLUSTRATIONS BELOW NOT TO SCALE

**AIR INTAKE ELBOWS**

All sizes 5 1/2" and over are either ribbed or compounded for maximum resistance to internal vacuum. "A," "B," "C," and "D" dimensions may be altered as necessary to suit your requirements.



Air Intake Elbows							
Part #	Size ID	A	B	C	D	R	T
15-7000	2	3.50	3.50	1.50	1.50	2.00	.22
15-7001	2 1/4	3.75	3.75	1.50	1.50	2.25	.22
15-7002	2 1/2	4.00	4.00	1.50	1.50	2.50	.25
15-7003	3	4.75	4.75	2.00	2.00	2.75	.25
15-7004	3 1/2	5.50	5.50	1.50	1.50	4.00	.25
15-7005	4	5.75	5.75	2.75	2.75	3.00	.25
15-7006	4 1/2	5.50	5.50	2.00	2.00	3.50	.25
15-7007	5	5.75	5.75	2.00	2.00	3.75	.25
15-7008	5 1/2	6.50	6.50	1.75	1.75	4.75	.25
15-7009	6	6.75	6.75	1.75	1.75	5.00	.25
15-7010	7	7.56	7.56	2.00	2.00	5.56	.31
15-1011	8	8.50	8.50	2.00	2.00	6.50	.37
15-7012	10	10.50	10.50	2.00	2.00	8.50	.37

Longwood can custom-mold elbows to your specifications!  
 Call 1-800-829-7231 — or — Fax drawings to 336-272-5619

# RUBBER SCUPPER LIPS

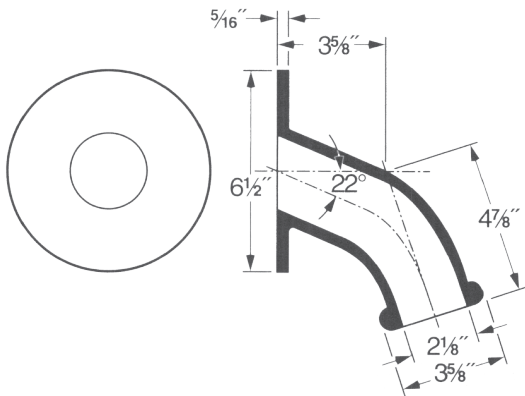


ILLUSTRATIONS BELOW NOT TO SCALE

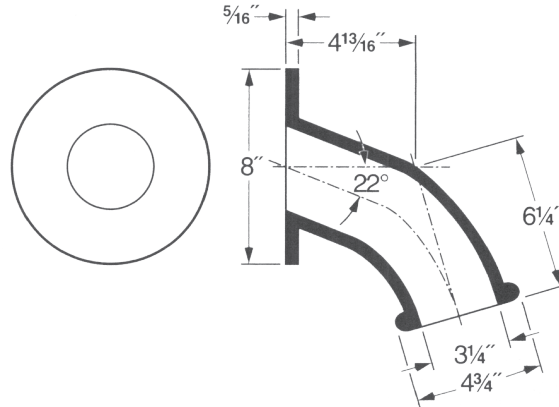
### Scupper Lips

Part #	Flange OD	Hole ID	NSN	Navy Mold	Comments
15-1380R	6 1/2	2 1/8	*2040-00-371-8008	3570	
15-673R	8	3 1/4	*2040-00-371-8010	3571	Short neck
15-6035R	8	3 1/4	*2040-00-371-8011	3576	Long neck
15-1131R	9	4 1/4	*2040-00-371-8012	3572	Short neck
15-1094R	*	*	*2040-00-963-6900	1376-A	Water tri-extension
15-1240R	9	4 1/4	**2040-00-371-8013	3577	Long neck
15-1489R	10	5 1/4	**2040-00-371-8014	3573	Short neck
15-5752R	10	5 1/4	**2040-00-371-8015	3578	Long neck
15-3379R	11	6 1/2	***2040-00-371-8017	3574	Short neck
15-618R	18 long	5 - 2 1/2	**5975-605-7702-(72)		Funnel type
15-4369R	6 1/2	*	***2040-00-371-8009	3575	Long neck
15-4610R	*	*	Tri-scupper modified	15 x 18 x 11	Tri-scupper modified

15-1380R



15-673R





ILLUSTRATIONS BELOW NOT TO SCALE

<p>15-6035R</p>	<p>15-1131R</p>	<p>15-1094R</p>
<p>15-1240R</p>	<p>15-1489R</p>	<p>15-5752R</p>
<p>15-3379R</p>	<p>Longwood can custom-mold products to your specifications!</p>	<p>15-4369R</p>

# RUBBERIZED FABRIC BOOTS



ILLUSTRATIONS BELOW NOT TO SCALE

## STOP ROD SCORING - PREVENT NICKING - EXTEND SEAL LIFE

Longwood rod boots provide maximum protection against cylinder rod scoring from chips, abrasive particles and other impinging objects. Rod boots are available in 12 stock sizes without tooling charges or minimum order quantities.

Manufactured of rugged neoprene-coated nylon fabric, Longwood rod boots give millions of trouble-free operations in temperature ranges of -45°F to 200°F.

Rubberized Fabric Boots				
Part #	Inside Diameter	Outside Diameter	Retracted Length Every 12" Extended	Collar ID Available
15-8000	3/4	3	3/4	1/2, 5/8
15-8001	1 1/8	3 1/8	3/4	3/4, 7/8, 1
15-8002	1 1/2	3 3/4	3/4	1 1/8, 1 1/4, 1 3/8
15-8003	1 7/8	4 1/8	3/4	1 1/2, 1 3/4
15-8004	2 3/8	4 5/8	3/4	2, 2 1/4
15-8005	2 7/8	5 1/8	3/4	2 1/2, 2 3/4
15-8006	3 3/8	7	1/2	3, 3 1/4
15-8007	3 7/8	7 1/2	1/2	3 1/2, 3 3/4
15-8008	4 1/2	8 1/4	1/2	4, 4 1/4
15-8009	5	8 3/8	1/2	4 1/2, 4 3/4
15-8010	5 3/8	9 1/2	1/2	5, 5 1/2
15-8011	7 1/4	11	1/2	6, 6 1/2, 7

(Priced by 12" lengths)

